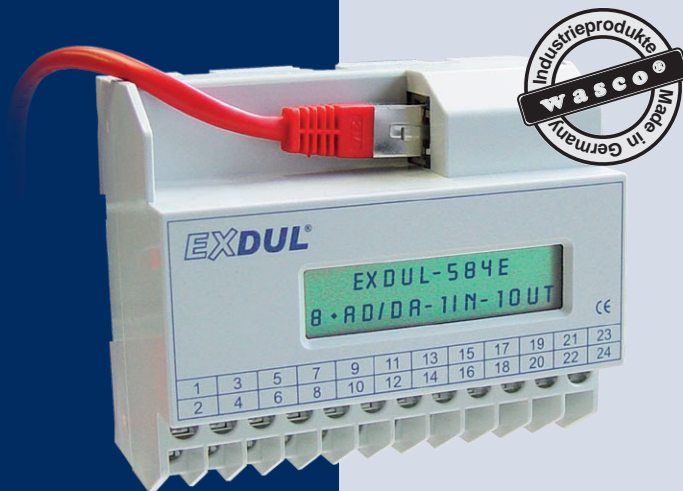


# EXDUL-584E

**Ethernet Module with 8 Analog Inputs, 8 Analog Outputs, 1 Optocoupler Input, 1 Optocoupler Output**



**8 A/D inputs 16 bit**

8 A/D inputs single-ended  
or  
4 A/D inputs differential

**8 D/A outputs 16 bit**

**1 optocoupler input**

**1 optocoupler output**

**LCD Display**

EXDUL-584E provides either eight single ended or four differential 16-bit A-D input channels. Several bipolar input voltage ranges (+/-0.63 V, +/-1.27 V, +/-2.55 V, +/-5.1 V, +/-10.2V) can be adjusted. The conversion process including the associated configuration of the A/D components (selection of range and channel) is triggered by software commands. The bipolar output voltage ranges (+/-2.55V, +/-5.1V, +/-10.2 V) of all of the eight 16-bit D/A outputs are software-selectable as well. Additionally the module provides one digital input and one digital output which are opto-isolated galvanically by high-quality optocouplers and equipped with additional protection diodes. The special high power output optocoupler copes with a switching current up to 150 mA. The optocoupler input may be programmed and used as an input of a 32-bit counter if required. The programmable LCD display represents digital and analog I/O status information or programmable user-specific data.

## SPECIFICATIONS

### A/D inputs

8 inputs single-ended (se)  
or 4 inputs differential (diff)  
or combined se/diff selectable via software  
Resolution: 16 bit  
Input voltage range bipolar:  
+/-0,63 Volt, +/-1,27 Volt, +/-2,55 Volt,  
+/-5.1 Volt, +/-10.2 Volt  
FIFO: 10000 values  
Input resistor: 500 Ω  
Over voltage protection: 50V  
Measuring cycle: 100kHz

### D/A outputs

8 outputs  
Resolution: 16 bit  
Output voltage ranges bipolar  
+/-2.55 Volt, +/-5.1 Volt, +/-10.2 Volt  
Output current: max +/-5 mA

### Optocoupler input

1 bipolar channel, galvanically isolated  
Over voltage protection diodes  
Input voltage range  
high = 10..30 Volt  
low = 0..3 Volt

### Optocoupler output

1 channel, galvanically isolated  
High capacity optocouplers  
Reverse polarity protection  
Output current: max. 150 mA  
Switching voltage: max. 50 V

### LCD Display

Matrix display with 2 lines and 16 columns  
presenting 16 signs each line  
Programmable for presentation of customized data or I/O status display

### Operation voltage

external power supply required  
+10 V...+30 V

### Ethernet Interface

100Base-T Ethernet Interface

### Connection Terminals

1 \* 24-pin screw terminal block  
Ethernet RJ45 socket

### Ethernet connection lines

RJ45 network cable Cat5 or higher

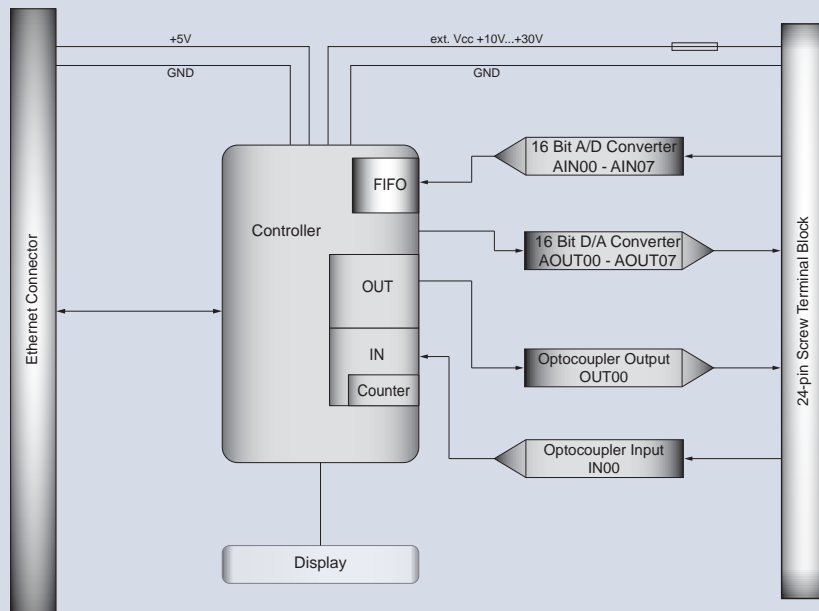
### Dimensions

105 mm x 89 mm x 59 mm (l x b x h)

### Casing

Insulating plastic casing with integrated snap-on technology for DIN EN rail mounting. Suitable for control and engineering technology mounted to control and distribution boxes, surface mounting or mobile use on a desk.

## BLOCK DIAGRAM



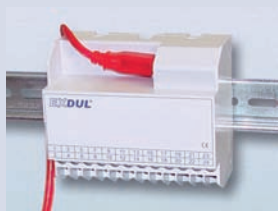
## PIN ASSIGNMENT

Terminals Vcc\_EXT und GND\_EXT are provided for an application of 10 ... 30 V external voltage supply.

### Screw-Terminal CN1

AIN01+	2	1	AIN00+
AIN03+	4	3	AIN02+
AIN05+	6	5	AIN04+
AIN07+	8	7	AIN06+
AOUT01+	10	9	AOUT00+
AOUT03+	12	11	AOUT02+
AOUT05+	14	13	AOUT04+
AOUT07+	16	15	AOUT06+
DAGND	18	17	ADGND
OUT00-	20	19	OUT00+
IN00-	22	21	IN00+ / Counter0
GND_EXT	24	23	Vcc_EXT

## ASSEMBLY AND APPLICATION OPTIONS



Top-hat Rail Mounting



Wall Mounting



Mobile Use on a Desk

To supply the necessary operating voltage, an external power supply is required. The module provides a 24-pin screw terminal block for connecting the external power supply and the optocoupler input and output.

The compact chassis enables the module to be used as a portable device with a notebook. For mechanical or control engineering it can also be easily wall mounted or attached to DIN mounting rail.

## PROGRAMMING

### Windows®:

Driver and program examples for Java, VB.NET, C++.NET, C#.NET, LabView Tutorial

### Linux®:

Driver and program examples for C, C++ and Java (see manual)

on enclosed CD or download at:  
[www.messcomp.com](http://www.messcomp.com), Section Support - Software

## SCOPE OF DELIVERY

Ethernet Module EXDUL-584E

Cat.5 Ethernet cable 1 m

German Description (English on request)

Installation and sample programs

## ORDER INFORMATION

EXDUL-584E

EDP-No. A-371940

Ethernet Optocoupler I/O Module

## SUITABLE ACCESSORIES

### DR-60-24

EDP-No. A-3425

Switching power supply providing one output 24 V / 2,5 A, closed construction design, touch-protected screw terminals, overload protection by current limitation, Power-On-LED



### F4652-24-Set

EDP-No. A-351024

Industrial power relay combination with two changeover contacts 250 V / 8 A and free-wheeling diode, snap-on technology for DIN EN top-hat rails



For more detailed information about the here listed and other accessories we refer to the corresponding data sheets

Product and company names mentioned may be trademarks of their respective owners